

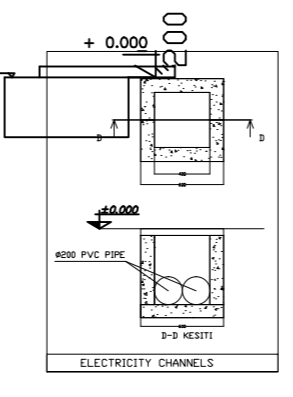
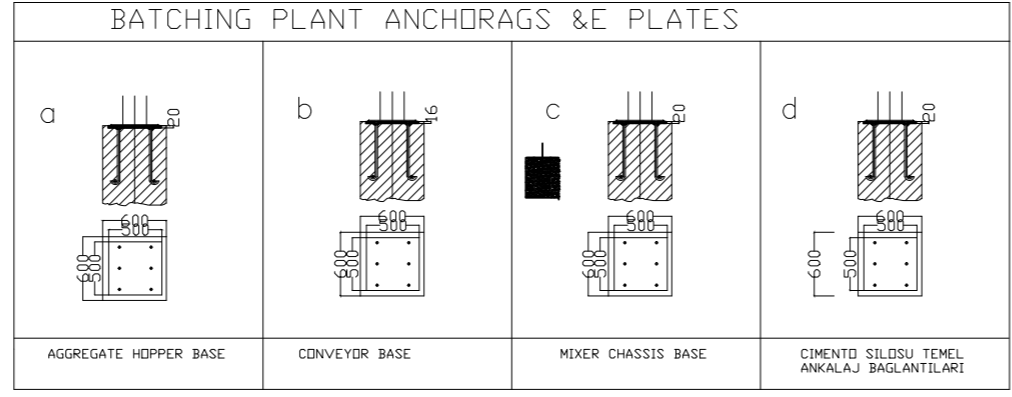
CEMENT SILO AND/OR
BIG BAG SYSTEM

YERLEŞİM BETON PLANI

B-B SECTION

BATCHING PLANT ANCHDRAGS & PLATES

FORCE/TEMELLERE GELEN YÜKLER (TON)				DİMENZYON/NEÇER YERİNE GİRİŞİ	
	x	y	z	THICKNESS	DIMENSION
a	3	3	15	10 mm	500x500
b	2	2	10	*	*
c	2	2	7	*	*
d-SİLCİ	10	10	70	20 mm	500x500



Rev	Date	Changed	Checked	Signature	Kind of Revision
0	06.03.2004				ONAY İÇİN

Client/Drawn by	Date	Name	Signature
Kontrol/Checked			
Onay/Approved			
Standart	Drawing Name:		
	KOMPAKT 30 - OPENTOP		
Scale	30m ³ /h CAPACITY		
PAFTA OLCUSU	sun 750		
AO	Drawing No:	BSY-YE2004-3	

GOKER İNŞAAT
SUNM VE TİCARET A.Ş.
ANKARA
TURKİYE

By resim GOKER A.S. nin mail olup GOKER'in izni olmadan kullanılamaz veya başkasına verilemez.
Copying of this document and giving it to others are forbidden without express authority by GOKER a/srights are reserved.